



# Satis-150 Quantum Board

*Full Spectrum*

Ultra-Efficient Dimmable 150W LED Grow Light



## **Full Spectrum**

- Alternative to HPS or fluorescent.
- High quality crop yield.

**390  $\mu$ mol @ 277 VAC 150W model**

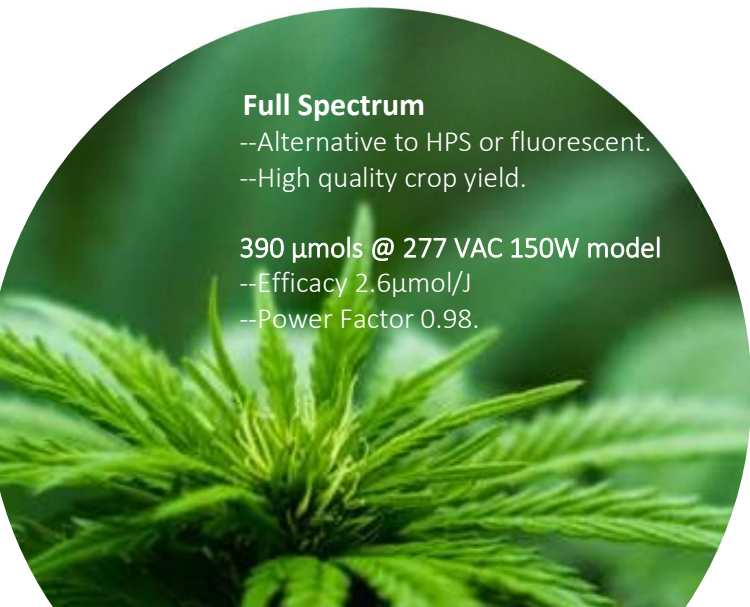
- Efficacy 2.6 $\mu$ mol/J
- Power Factor 0.98.

**>97% light transmission**

- With silicone conformal coating.

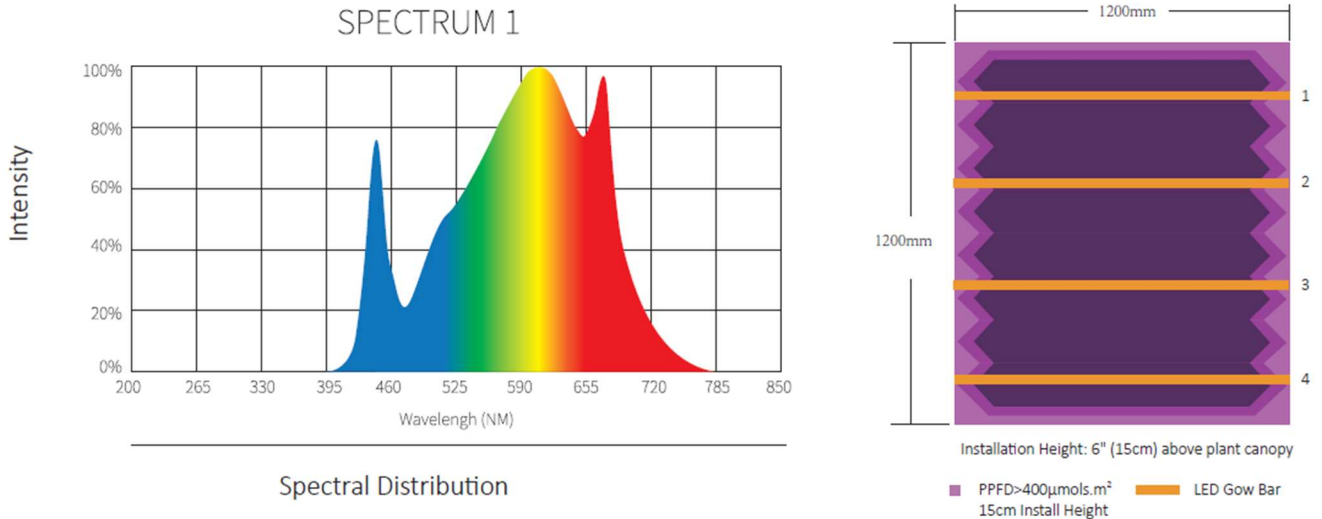
**Suitable for GMP & GACP facility**

- Fully Sealed.
- Passive cooling. No fans.



# Satis-150 Single-Channel Quantum Board Full Spectrum

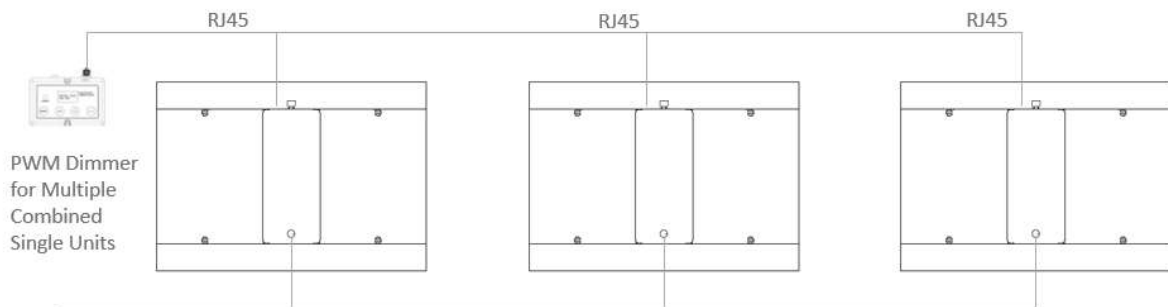
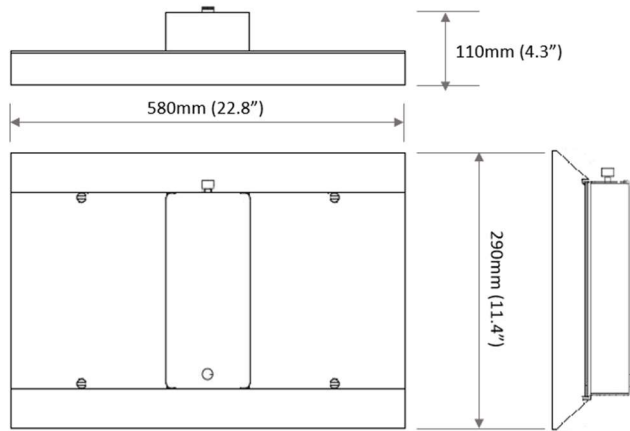
The Satis Series of Single-channel dimmable quantum boards provide a powerful, a full spectrum LED grow light solution that allows you to control the spectrum for your different plant needs. The technology has been developed using many years scientific and technical research. These boards generate a highly uniform light spread and create consistent yield performance to your horticultural business. The units can be connected with each other to create larger and more versatile lighting solutions and are a good replacement for HPS or fluorescent depending on power rating.



Spectral Distribution

SPECIFICATIONS	
Item	Satis-150
Wattage(±5%)	150W
PPF(±5%)	390 μmol/s
Efficacy (380 nm ~ 820 nm)	2.6 μmol/J @ 277 VAC
Input Voltage	AC100-277V 50/60Hz
Driver Brand	Mean Well / Inventronics
Light source	Samsung & Osram SMD3030 LEDs
Dimming	0-10v Manual or Controller Dimming
Power factor	>0.98
Material	6063 Aluminum
Thermal Management	Passive Cooling
Mounting Height	≥ 12 to 24" (30 to 60cm) Above Plant Canopy
Warranty	3 years
Certifications	Meeting the CE /RoHS Standards
Ambient operating temperature	14 ~ 104 °F (-10 ~ 40 °C)
Fixture Dimensions   Weight	Dimensions: 11.4" L x 22.8" W x 3.46" H   8.5lb Dimensions: 290mm L x 580mm W x 88mm H   3.85kg

## Dimensions



## Can be used with Lighting Controller

