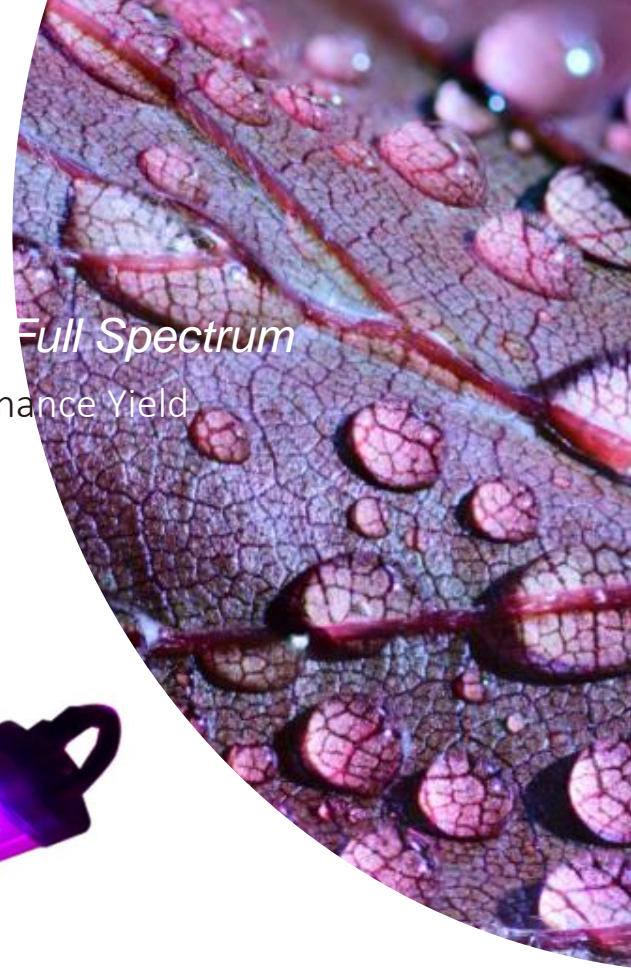


# Tarvos-UV30 *Full Spectrum*

30W UV LED Grow Light to Enhance Yield



## UV Spectrum

- enhances yield production.
- helps eliminate pests and disease.

## Wet location / IP65

- Fully Waterproof
- Use in damp and wet locations

## >97% light transmission

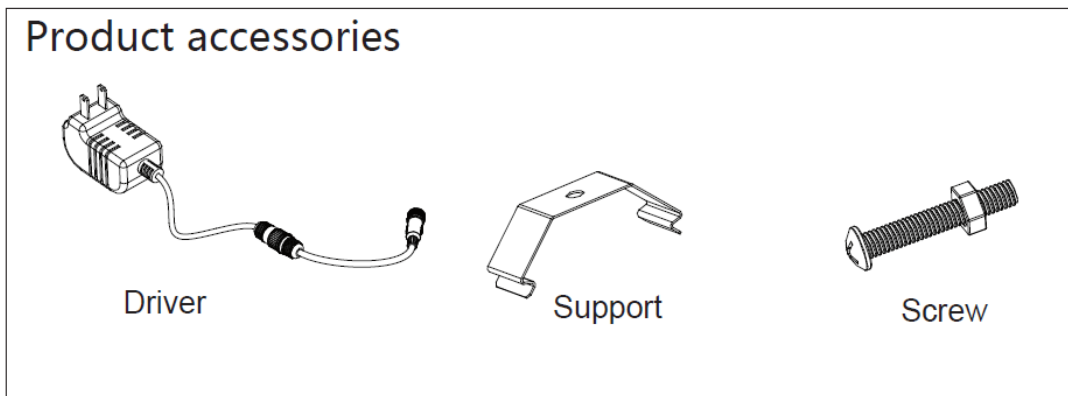
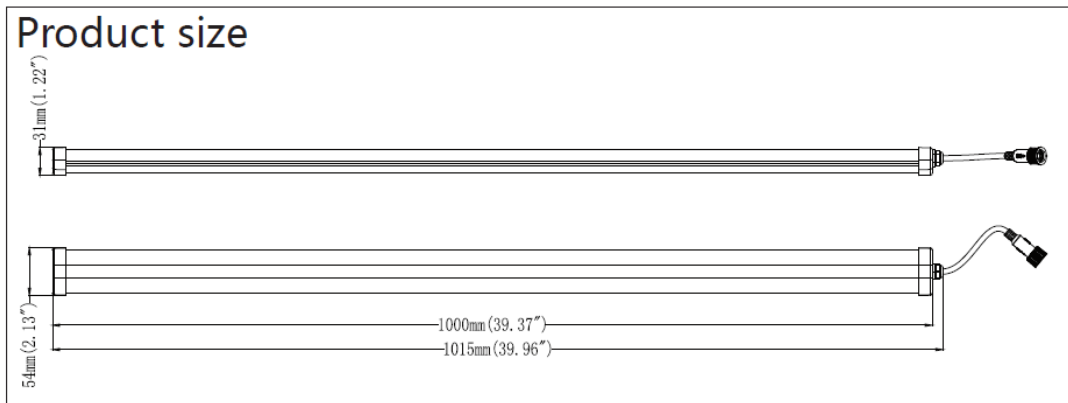
- Durable glue cover
- No yellowing or degradation.

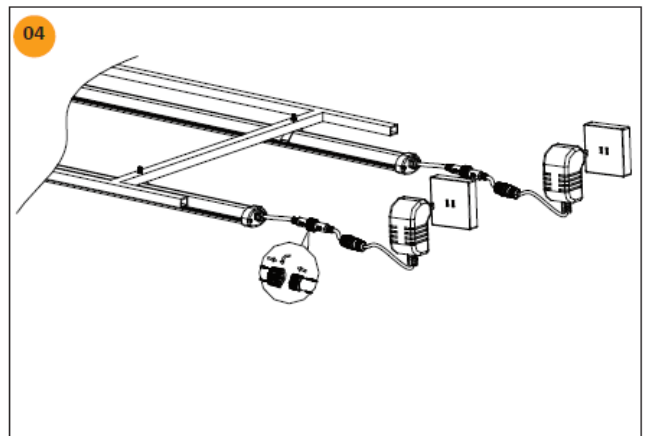
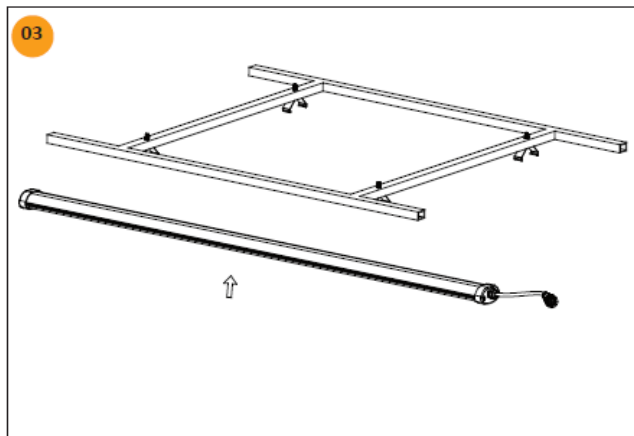
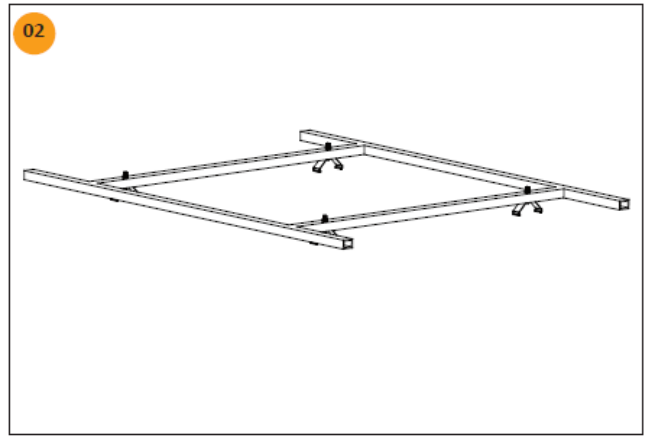
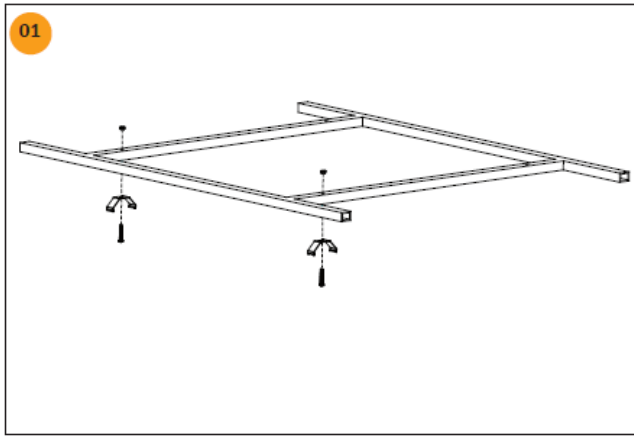
## Suitable for GMP & GACP facility

- Fully Sealed.
- Passive cooling. No fans

The Tarvos-UV30 can be used during the final stages of the flowering cycle to enhance yields. It is also suitable for using in small doses to eliminate the buildup of powdery mildew and pests. The UV light uses LED chips that emit light in the 350 to 400nm range. It generates a highly uniform light spread and helps to promote higher yield performance when used for 1 to 2 hours per day in the final few weeks before harvest. With modular build design concept, the Tarvos-UV30 can be connected to other Solstron units to create larger and more versatile lighting solutions.

SPECIFICATIONS	
Item	Tarvos-30UV (Sku: TAR-30U-001)
Wattage(±5%)	30W
Wavelength	350nm to 400nm (UVA)
Input Voltage	AC100-277V 50/60Hz
Driver Brand	Mean Well / Sosen / Inventronics
Light source	SMD 3535/2835 LEDs
Dimming	No Dimming
Power factor	>0.93
Material	6063Aluminum
Thermal Management	Passive Cooling
Mounting Height	≥ 4" (10.1cm) Above Plant Canopy
Warranty	3 years
Certifications	Meeting the UL / ETL / CE /RoHS Standards
IP rating	UL 1598 – suitable for damp / wet locations, CE-IP65 rated
Ambient operating temperature	14 ~ 104 °F (-10 ~ 40 °C)
Fixture Dimensions   Weight	39.37" L x 2.12" W x 1.22" H   2.42lb 1000mm L x 54mm W x 31mm H   1.1kg





## Official Distributors

### UK

Led Grow Market  
76 Bishops Wood  
Woking  
Surrey GU21 3QB  
[admin@ledgrowmarket.com](mailto:admin@ledgrowmarket.com)  
Tel: +44 7703 102200



### USA

Hemptek Inc.  
13384 River RD. NE  
Gervais OR 97026  
Contact Dennis McGuire  
Ph: 1-772-834-5242  
[dmcquiresr@gmail.com](mailto:dmcquiresr@gmail.com)



Wallingfen Business Park  
Unit 1  
236 Main Road  
Newport  
Brough  
East Riding Of Yorkshire  
HU15 2RH  
01430 449440  
[sales@hotboxworld.com](mailto:sales@hotboxworld.com)