

Solstron-1000 Nova *Full Spectrum*

Ultra-Efficient 1000W L



Full Spectrum

- Easy alternative to HPS.
- High quality crop yield.

2,800 $\mu\text{mol/s}$

- Up to 2.8 $\mu\text{mol/J}$
- Power Factor 0.98.

Designed to Wet location

- Waterproof light bars
- Use in damp and wet locations

>97% light transmission

- With silicone conformal coating.

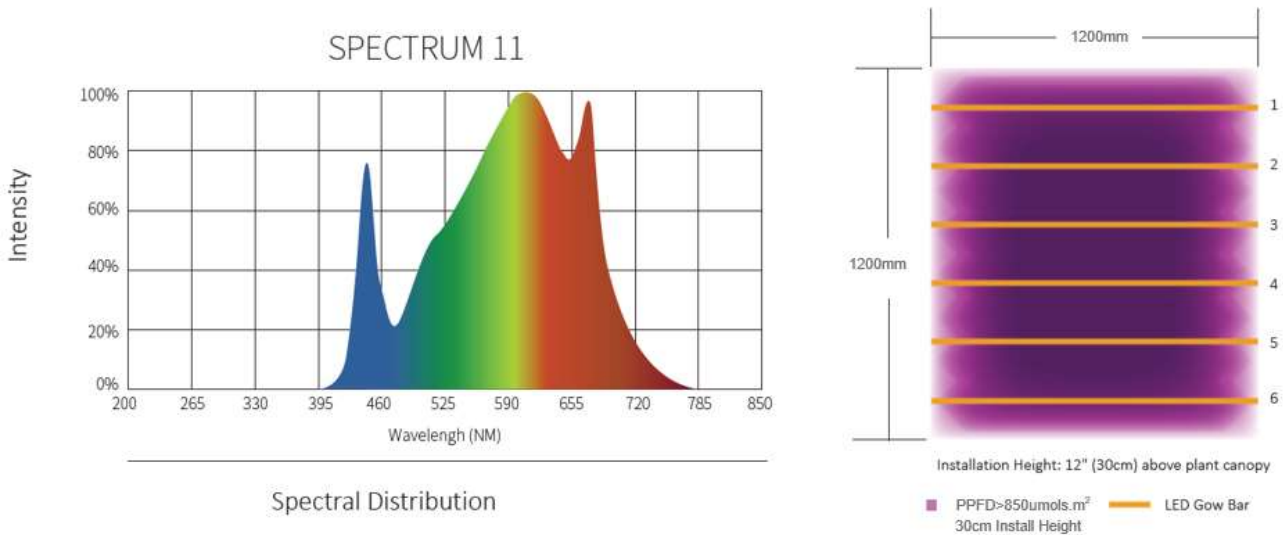
Suitable for GMP & GACP facility

- Fully Sealed.
- Passive cooling. No fans.
- On-Board or Remote Dimming



Solstron-1000 Nova Full Spectrum

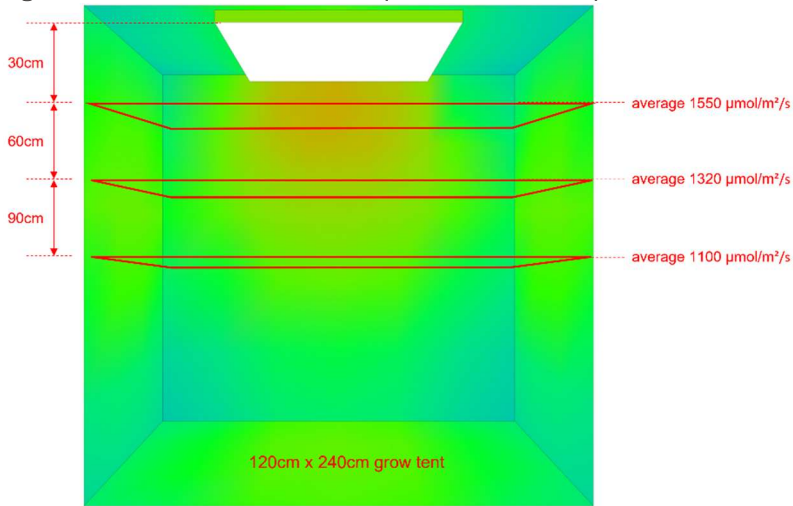
The Solstron-1000 Nova is a full spectrum LED grow light that has been developed using many years scientific research. It generates a highly uniform light spread and creates consistent yield performance to your horticultural business. It is an ideal replacement for High Pressure Sodium Lights and reduces heat load and running costs. The Solstron-1000 Nova can be connected with each other to create larger and more versatile lighting solutions.



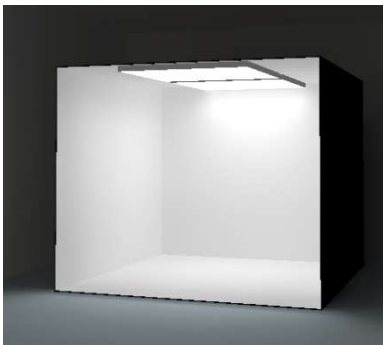
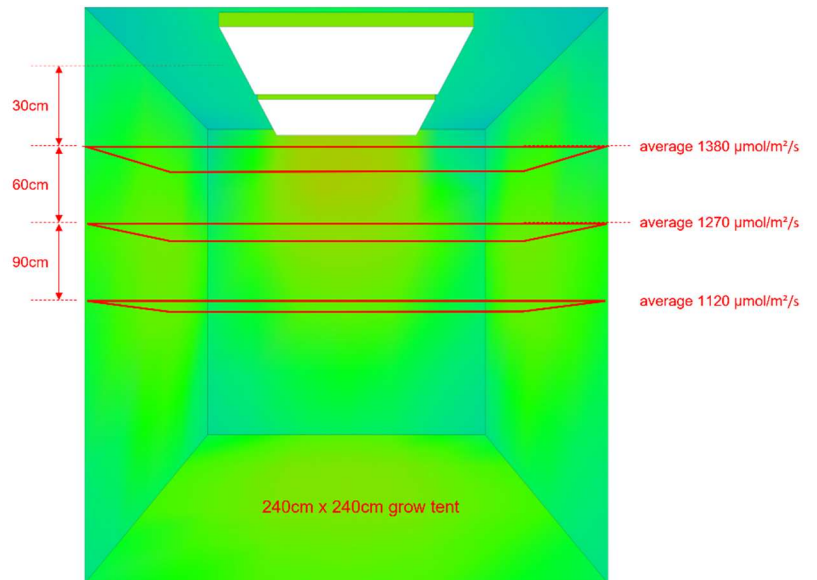
Spectral Distribution

SPECIFICATIONS	
Item	Solstron-1000 Nova (Sku: SOL-1000B-001)
Wattage(±5%)	1000W
PPF(±5%)	2,800μmol/s @ 277 VAC
Efficacy (380 nm ~ 820 nm)	2.8μmol/J
Input Voltage	AC100-277V 50/60Hz
Driver Brand	Mean Well
Light source	Samsung & Osram SMD3030 LEDs
Dimming	0-10v Manual or RJ14 Dimming
Power factor	>0.98
Material	6063 Aluminum
Thermal Management	Passive Cooling
Mounting Height	≥ 36" (90cm) Above Plant Canopy
Warranty	3 years
Certifications	Meeting the UL / ETL / CE /RoHS Standards
IP rating	UL 1598 – suitable for damp / wet locations, CE-IP65 rated light bars
Ambient operating temperature	14 ~ 104 °F (-10 ~ 40 °C)
Fixture Dimensions Weight	47" L x 42.8" W x 1.96" H 33lb 1194mm L x 1087mm W x 50mm H 15kg

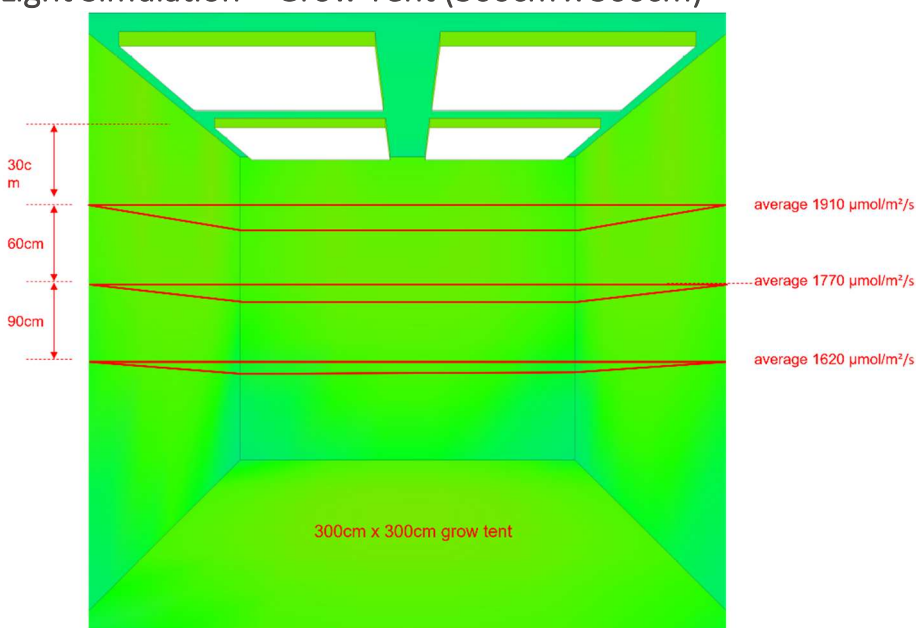
Light Simulation – Grow Tent (120cm x 240cm)

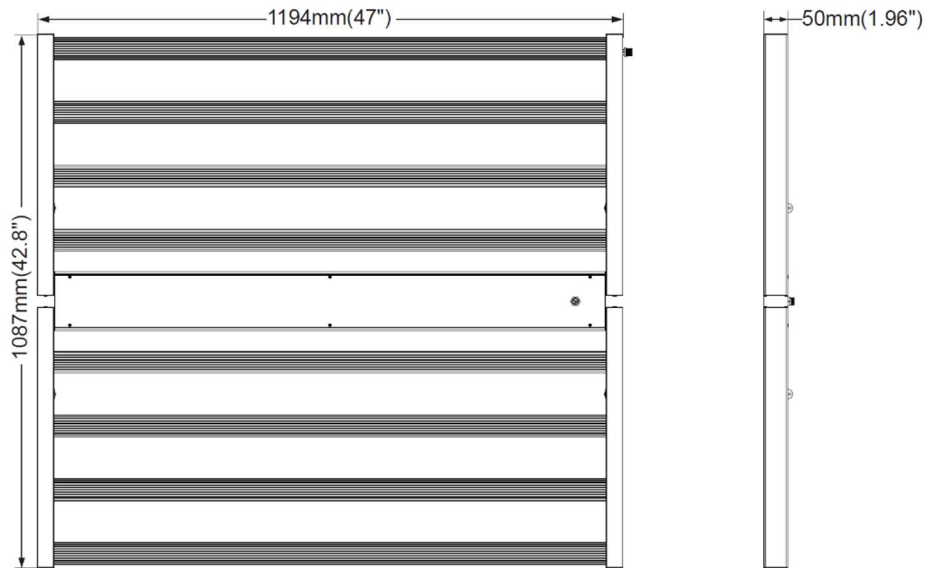


Light Simulation – Grow Tent (240cm x 240cm)



Light Simulation – Grow Tent (300cm x 300cm)

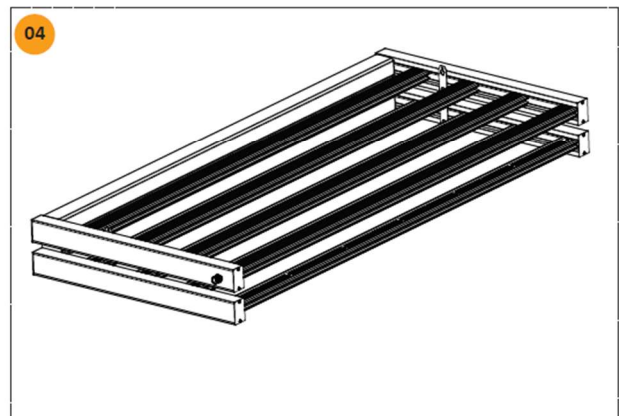
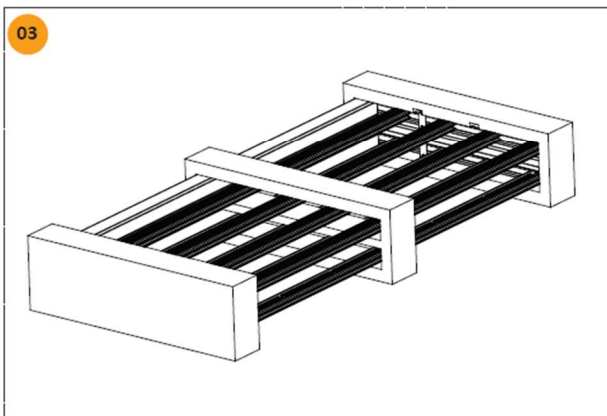
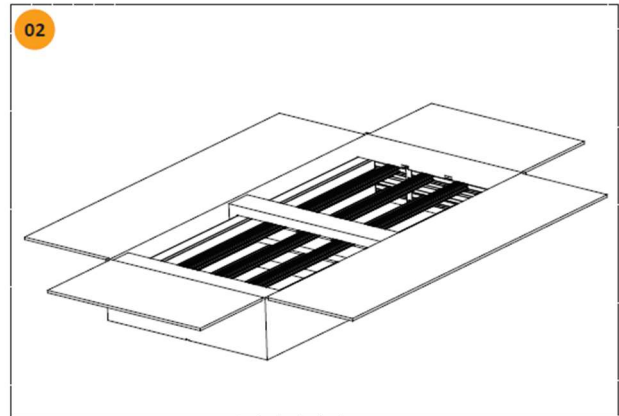
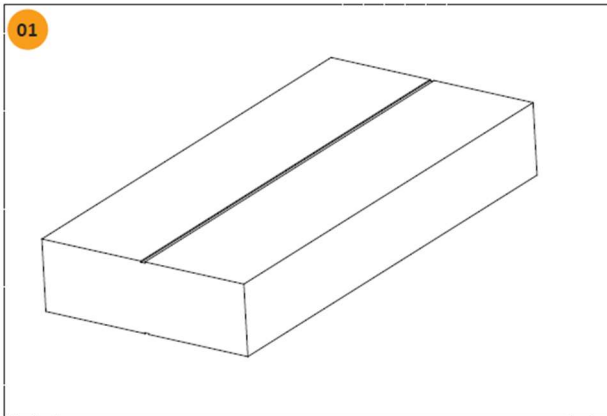


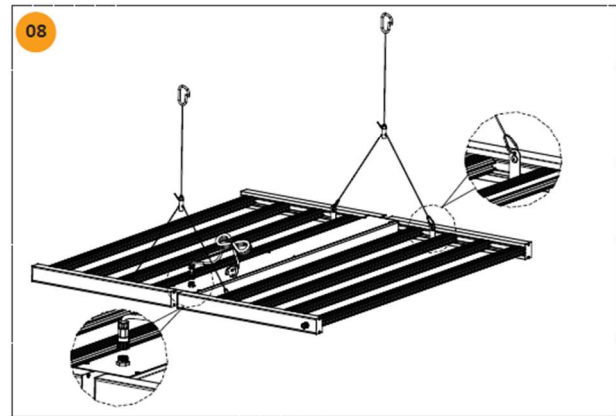
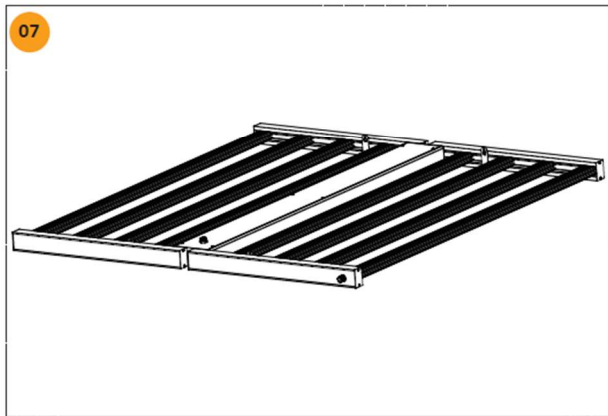
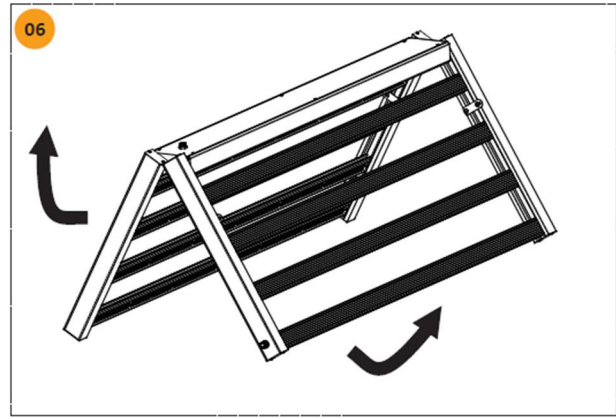
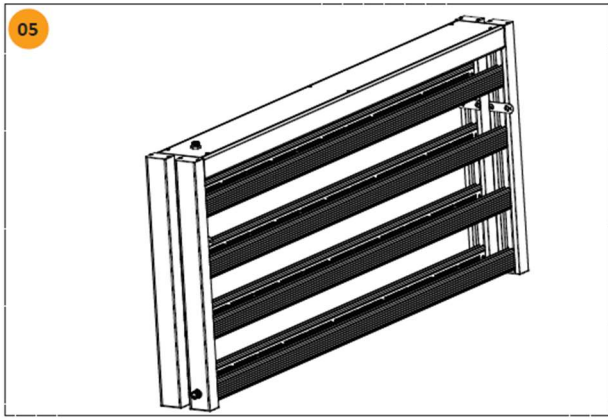


Can be used with Lighting Controller



Installation





Official Distributors

Led Grow Market
76 Bishops Wood
Woking
Surrey GU21 3QB
admin@ledgrowmarket.com
Tel: +44 7703 102200



Wallingfen Business Park
Unit 1
236 Main
Road
Newport
Brough
East Riding Of Yorkshire
HU15 2RH
01430 449440
sales@hotboxworld.com