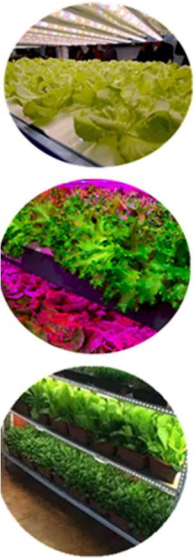


Solstron-110 Max *Full Spectrum*

Ultra-Efficient 110W LED Grow Light



Full Spectrum

- Easy alternative to Fluorescent.
- High quality crop yield.

308 $\mu\text{mol/s}$

- Up to $2.8\mu\text{mol/J}$
- Power Factor 0.98.

Suitable for Wet locations

- Waterproof
- Use in damp and wet locations

>97% light transmission

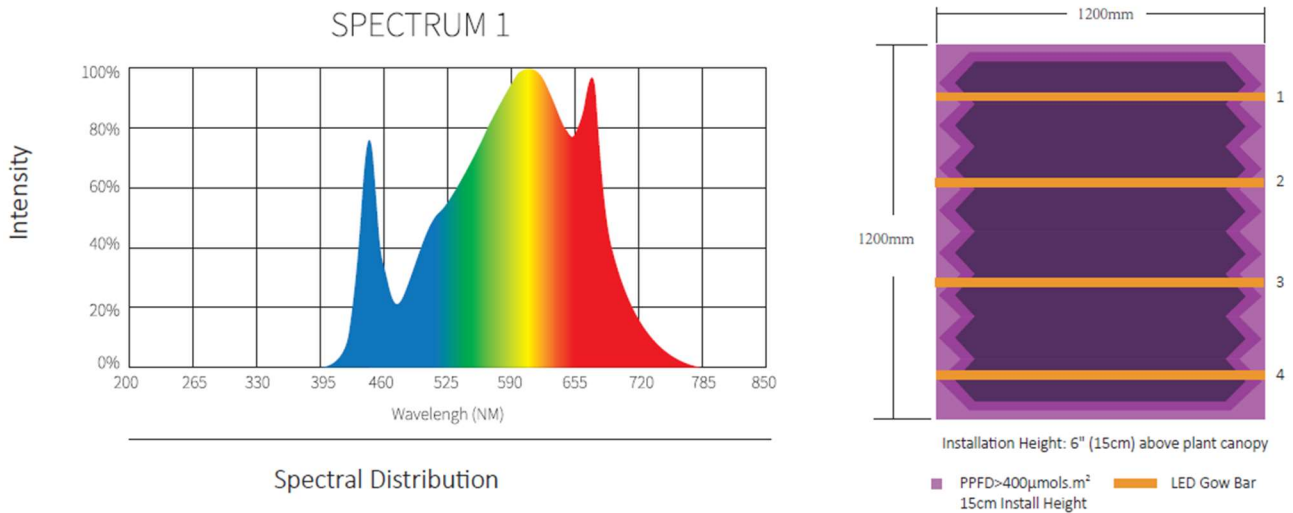
- With silicone coating.

Suitable for GMP & GACP facility

- Fully Sealed.
- Passive cooling. No fans.
- Dimmable.

Solstron-110 Max Full Spectrum

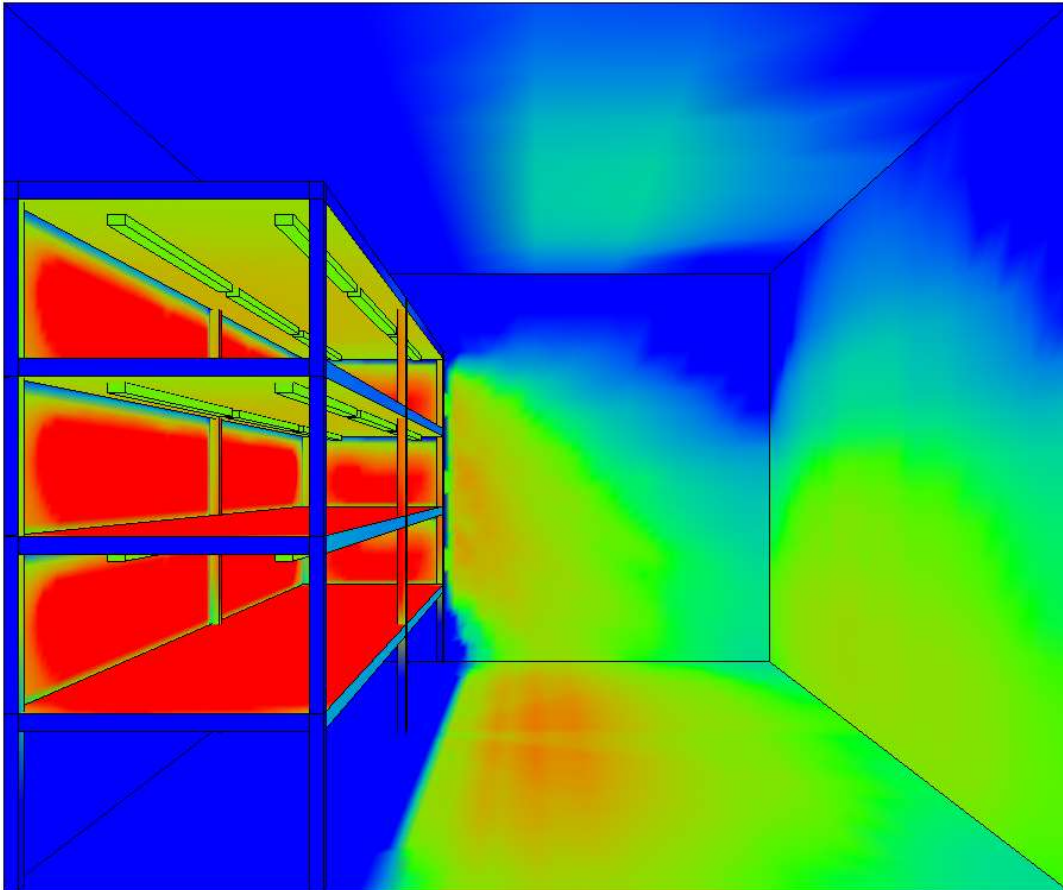
The Solstron-110 Max is a full spectrum LED grow light that has been developed using many years scientific research. It generates a highly uniform light spread and creates consistent yield performance to your horticultural business. It is an ideal replacement for the fluorescent lamp and reduces heat load and running costs. With modular build design concept, the Solstron-110 Max can be connected with each other to create larger and more versatile lighting solutions.

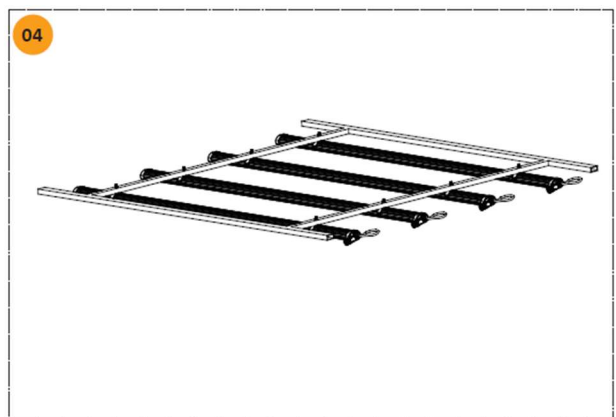
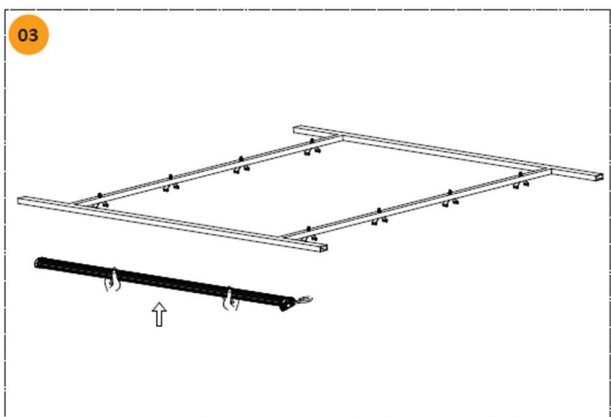
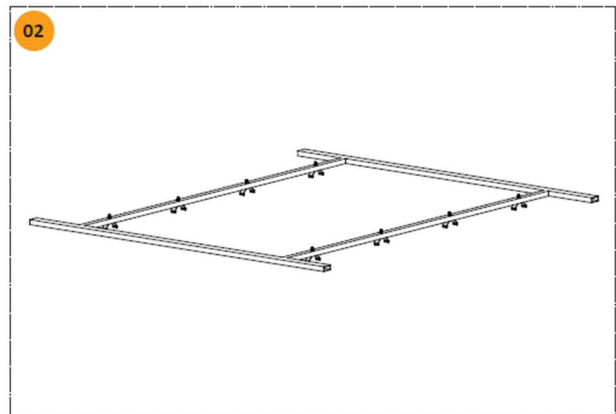
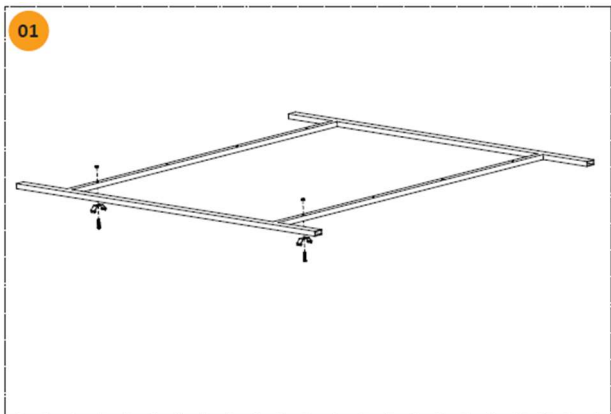
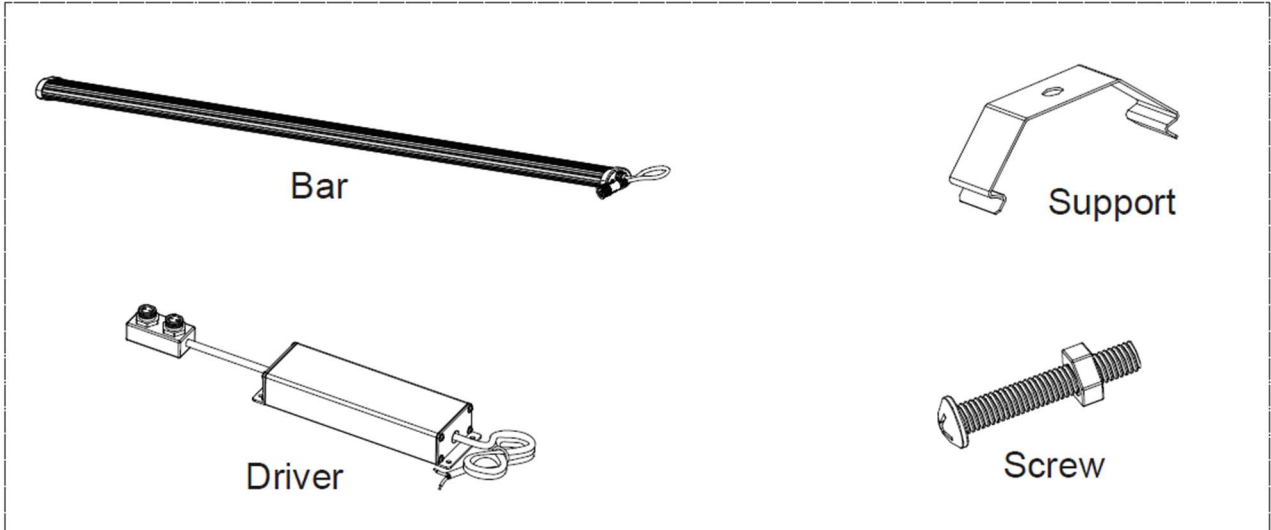
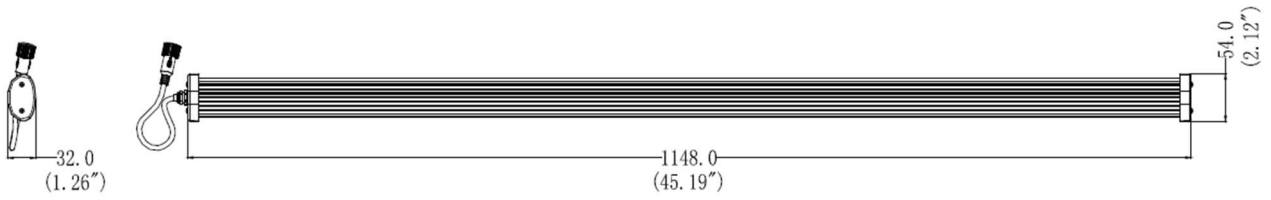


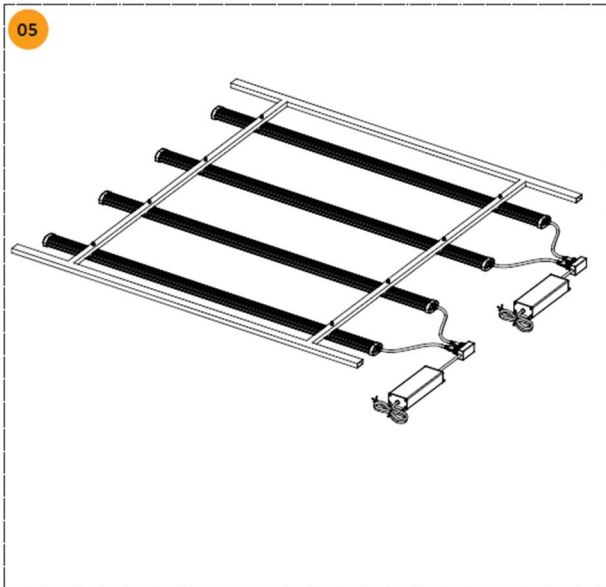
Spectral Distribution

SPECIFICATIONS	
Item	Solstron-110 Max (Sku: SOL-110L-001)
Wattage(±5%)	110W
PPF(±5%)	308μmol/s @ 277 VAC
Efficacy (380 nm ~ 820 nm)	2.8μmol/J
Input Voltage	AC100-277V 50/60Hz
Driver Brand	Mean Well / Sosen / Inventronics
Light source	Samsung & Osram SMD3030 LEDs
Dimming	0-10V Dimming
Power factor	>0.98
Material	6063Aluminum
Thermal Management	Passive Cooling
Mounting Height	≥ 6" (15.2cm) Above Plant Canopy
Warranty	3 years
Certifications	Meeting the UL / ETL / CE /RoHS Standards
IP rating	UL 1598 – suitable for damp / wet locations, CE-IP65 rated
Ambient operating temperature	14 ~ 104 °F (-10 ~ 40 °C)
Fixture Dimensions Weight	45.19" L x 2.12" W x 1.26" H 1.32lb 1148mm L x 54mm W x 32mm H 0.6kg

Light Simulation – Grow Racks







Official Distributors

Led Grow Market
76 Bishops Wood
Woking
Surrey GU21 3QB
admin@ledgrowmarket.com
Tel: +44 7703 102200



Wallingfen Business Park
Unit 1
236 Main Road
Newport
Brough
East Riding Of Yorkshire
HU15 2RH
01430 449440
sales@hotboxworld.com